

Copyright Reserved

The Contractor shall verify and be responsible for all dimensions. DO NOT scale the drawing - any errors or omissions shall be reported to Stantec without delay.
The Copyrights to all designs and drawings are the property of Stantec. Reproduction or use for any purpose other than that authorized by Stantec is forbidden.

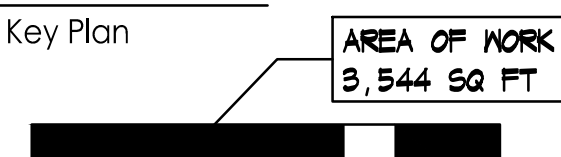
Consultants



Lizardos
Mechanical & Electrical Engineering

200 Old Country Road, Suite 670
Mineola, NY 11501
Phone: (516) 484-1020
Fax: (516) 484-0926
www.leapc.com

Key Plan



Notes

Revision table with columns: Revision, Description, By, Appd., Date. Includes entries for Progress Review Set, Owner Review, and Issued.

Permit-Seal

Table for permit seal with columns: Dwn., Chkd., Dgnr., Date. Includes entries for Client/Project and Issued.

Client/Project
RICHMOND UNIVERSITY MEDICAL CENTER
TRANSFORMATIONAL GRANT

669 CASTLETON AVENUE, STATEN ISLAND, NY
SECOND FLOOR PROPOSED RENOVATION

Title
ELECTRICAL LEGEND, ABBREVIATIONS,
DRAWING LIST AND NOTES

Project No. 7024.02
Scale AS NOTED
Drawing No. Sheet
Revision

ELECTRICAL SYMBOL LIST

Table with 2 columns: SYMBOL and DESCRIPTION. Lists various electrical symbols and their corresponding descriptions, such as switches, outlets, and sensors.

ELECTRICAL ABBREVIATIONS

Table with 2 columns: ABBREVIATION and DESCRIPTION. Lists electrical abbreviations such as AMPERE, ABOVE FINISHED FLOOR, and AMPERE SWITCH.

GENERAL NOTES

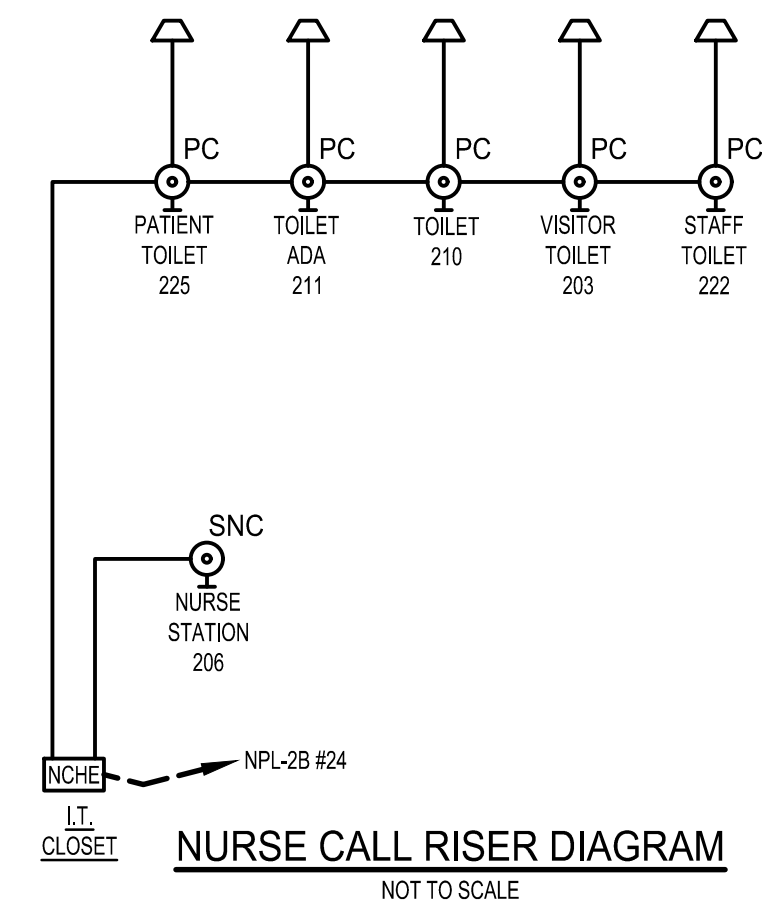
- 1. PERFORM ALL WORK IN ACCORDANCE WITH THE NATIONAL ELECTRIC CODE, NEW YORK CITY ELECTRICAL CODE, PERTINENT NFPA CODES AND RULES AND REGULATIONS OF ALL LOCAL, FEDERAL AUTHORITIES HAVING JURISDICTION.
- 2. DO ALL NECESSARY CUTTING AND ROUGH PATCHING. THE FOLLOWING WORK WILL BE DONE BY OTHERS: FINISH PAINTING AND PATCHING, MASONRY AND CONCRETE FOUNDATIONS FOR EQUIPMENT.

DRAWING LIST

Table with 2 columns: Drawing Number and Description. Lists various drawings including legend, demolition, power and conduit routing, and panel schedules.

DEMOLITION NOTES

- 1. PROVIDE ALL LABOR, MATERIAL, EQUIPMENT, STORAGE FACILITIES, SERVICES AND SUPERVISION NECESSARY FOR THE COMPLETE AND SATISFACTORY DEMOLITION WORK AS INDICATED ON DRAWINGS AND SPECIFIED HEREIN.
- 2. THE PROTECTION OF ANY AND ALL EXISTING WORK TO REMAIN SHALL INCLUDE BUT IS NOT LIMITED TO THE PROTECTION OF ALL MATERIALS, EQUIPMENT AND WORK LIABLE TO BE DAMAGED THROUGH OPERATIONS UNDER THIS CONTRACT.



NURSE CALL SYSTEM SYMBOL LIST
Table with 2 columns: SYMBOL LIST and DESCRIPTION. Lists symbols for dome light, emergency pull cord, staff console, and head end equipment.

- NOTES**
1. COORDINATE WITH ALL TRADES FOR EXACT LOCATION AND MOUNTING HEIGHTS OF NURSE CALL DEVICES.
- 2. CABLE ROUTING IS DIAGRAMMATIC AND INDICATES GENERAL INTENT. ACTUAL ROUTING MUST BE COORDINATED WITH FIELD CONDITIONS AND ADJUSTED AS REQUIRED.

CONTRACTOR TO REFER TO LATEST NURSE CALL VENDOR DRAWINGS AND WIRING DIAGRAMS FOR UPDATED INFORMATION AND LAYOUT.

669 Castleton LIGHTING FIXTURE SCHEDULE

Table with 6 columns: SYMBOL, TYPE, LAMPS, VOLTS, WATTS, DESCRIPTION, MANUFACTURER. Lists lighting fixtures such as recessed emergency backup, recessed LEDs, and industrial LEDs.

not used- should it be in the IT room?

F3 TBD similar to F4 (larger size)

PROJECT: 7024.02 | FLOOR: E00RES | FICIDATE: 8/29/2022 1:55 PM | FILENAME: 7024.02-E-001.dwg

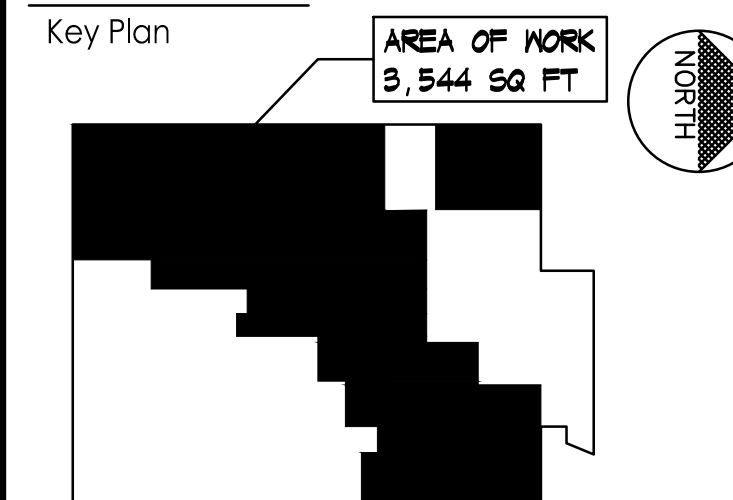
Stantec Consulting Services Inc.
 135 Engineers Road, Suite 200
 Houppauge, N.Y. 11788-4008
 Tel. 631.424.8600
 www.stantec.com

Copyright Reserved
 The Contractor shall verify and be responsible for all dimensions. DO NOT scale the drawing - any errors or omissions shall be reported to Stantec without delay.
 The Copyrights to all designs and drawings are the property of Stantec. Reproduction or use for any purpose other than that authorized by Stantec is forbidden.

Consultants



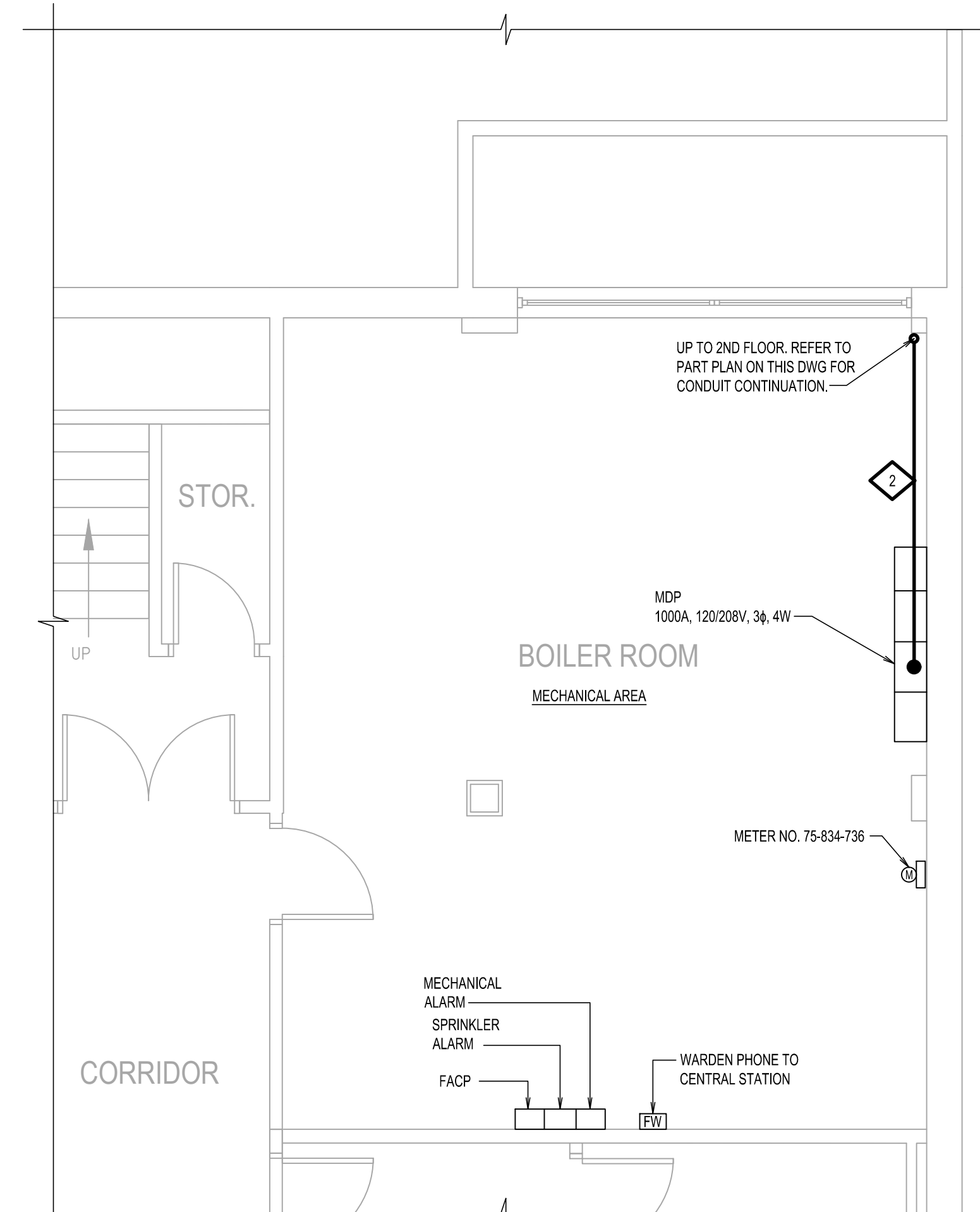
Key Plan



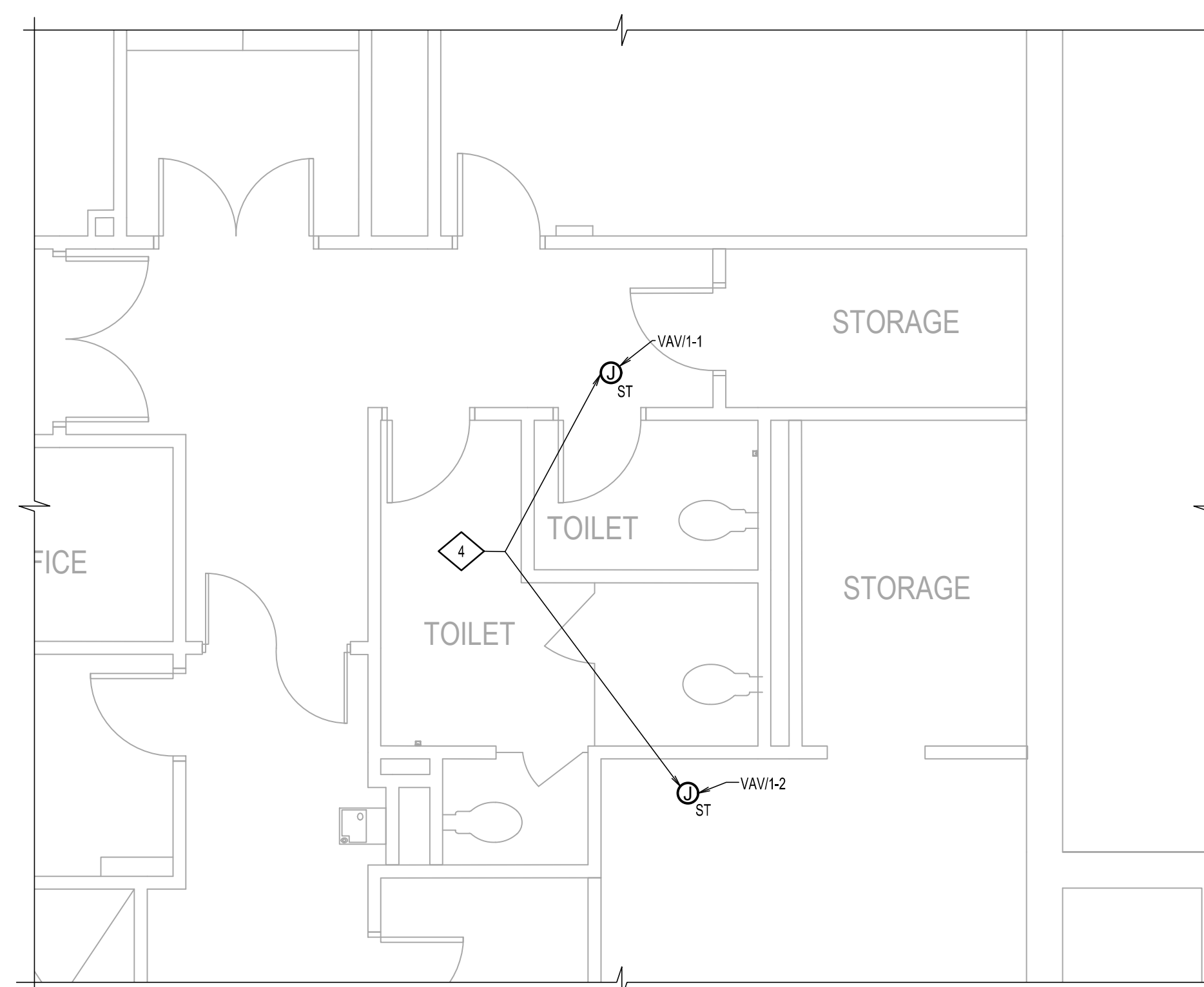
Notes

NOTES

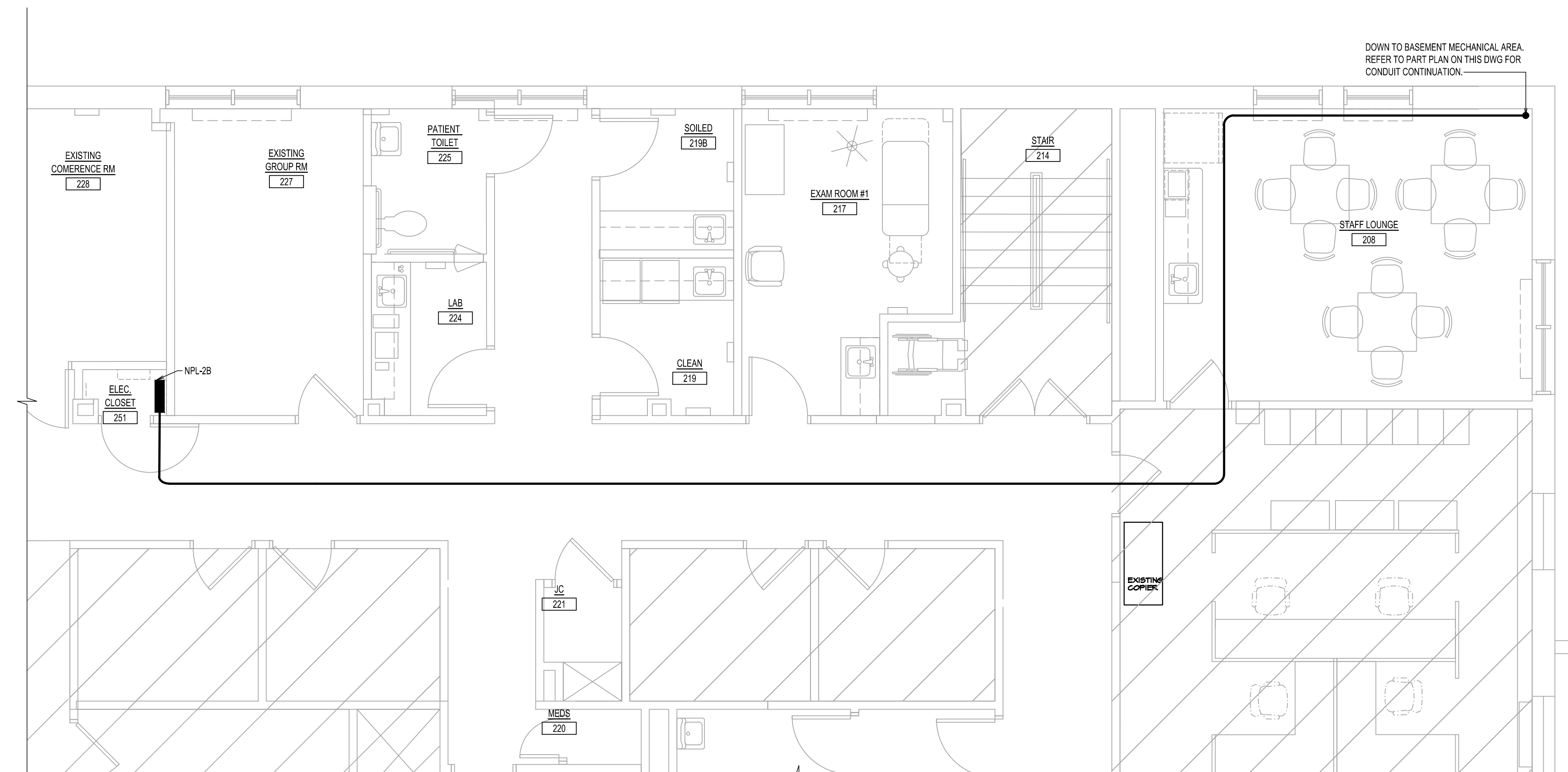
1. REFER TO DWG E-001.00 FOR ELECTRICAL LEGEND, ABBREVIATIONS, DRAWING LIST AND NOTES.
2. EXACT CONDUIT ROUTE SHALL BE COORDINATED IN THE FIELD.
3. REFER TO DWG E-002 FOR ONE LINE DIAGRAM.
4. FURNISH AND INSTALL ONE (1) 20AMP, 120V BRANCH CIRCUIT FROM NEAREST 120/208V PANEL BOARD. FURNISH AND INSTALL ONE (1) 20AMP, 120V CIRCUIT BREAKER IN EXISTING PANEL BOARD. CIRCUIT BREAKER SHALL MATCH PANEL BOARD AND AIC RATING. UPDATE PANEL BOARD DIRECTORY.



BASEMENT-POWER CONDUIT ROUTE
 SCALE: 1/4"=1'-0"



1ST FLOOR-POWER PART PLAN
 SCALE: 1/4"=1'-0"



2ND FLOOR-POWER CONDUIT ROUTE
 SCALE: 1/4"=1'-0"

PROJECT: 7024.02 | PROJECT ADDRESS: 679/2022 1:56 PM | FILENAME: 7024.02-E-201.dwg

0 1/2 1 2 3 4 5 6

Client/Project
 RICHMOND UNIVERSITY MEDICAL CENTER
 TRANSFORMATIONAL GRANT

669 CASTLETON AVENUE, STATEN ISLAND, NY
 SECOND FLOOR PROPOSED RENOVATION

Title
 POWER AND CONDUIT ROUTING PART
 PLANS

Project No. 7024.02	Scale AS NOTED
Drawing No.	Sheet Revision

E-201.00 4 of 12

NEW YORK CITY BUILDING DEPARTMENT NOTE:
 "THIS PLAN IS SUBMITTED FOR APPROVAL BY THE NEW YORK CITY BUILDING DEPARTMENT ONLY FOR WORK INDICATED ON THE APPLICATION SPECIFICATION SHEET. ALL OTHER MATTERS SHOWN ARE NOT TO BE RELIED UPON, OR TO BE CONSIDERED AS, EITHER BEING APPROVED OR IN ACCORDANCE WITH APPLICABLE CODES."

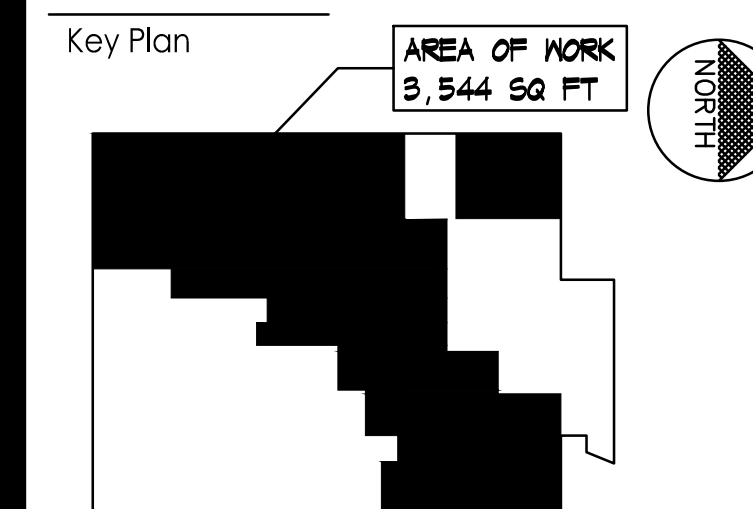
Stantec Consulting Services Inc.
135 Engineers Road, Suite 200
Houppauge, N.Y. 11788-4008
Tel. 631.424.8600
www.stantec.com

Copyright Reserved
The Contractor shall verify and be responsible for all dimensions. DO NOT scale the drawing - any errors or omissions shall be reported to Stantec without delay.

Consultants

Lizardos
Mechanical & Electrical Engineering
200 Old Country Road, Suite 670
Mineola, NY 11501
Phone: (516) 484-1020
Fax: (516) 484-0926
www.leapc.com

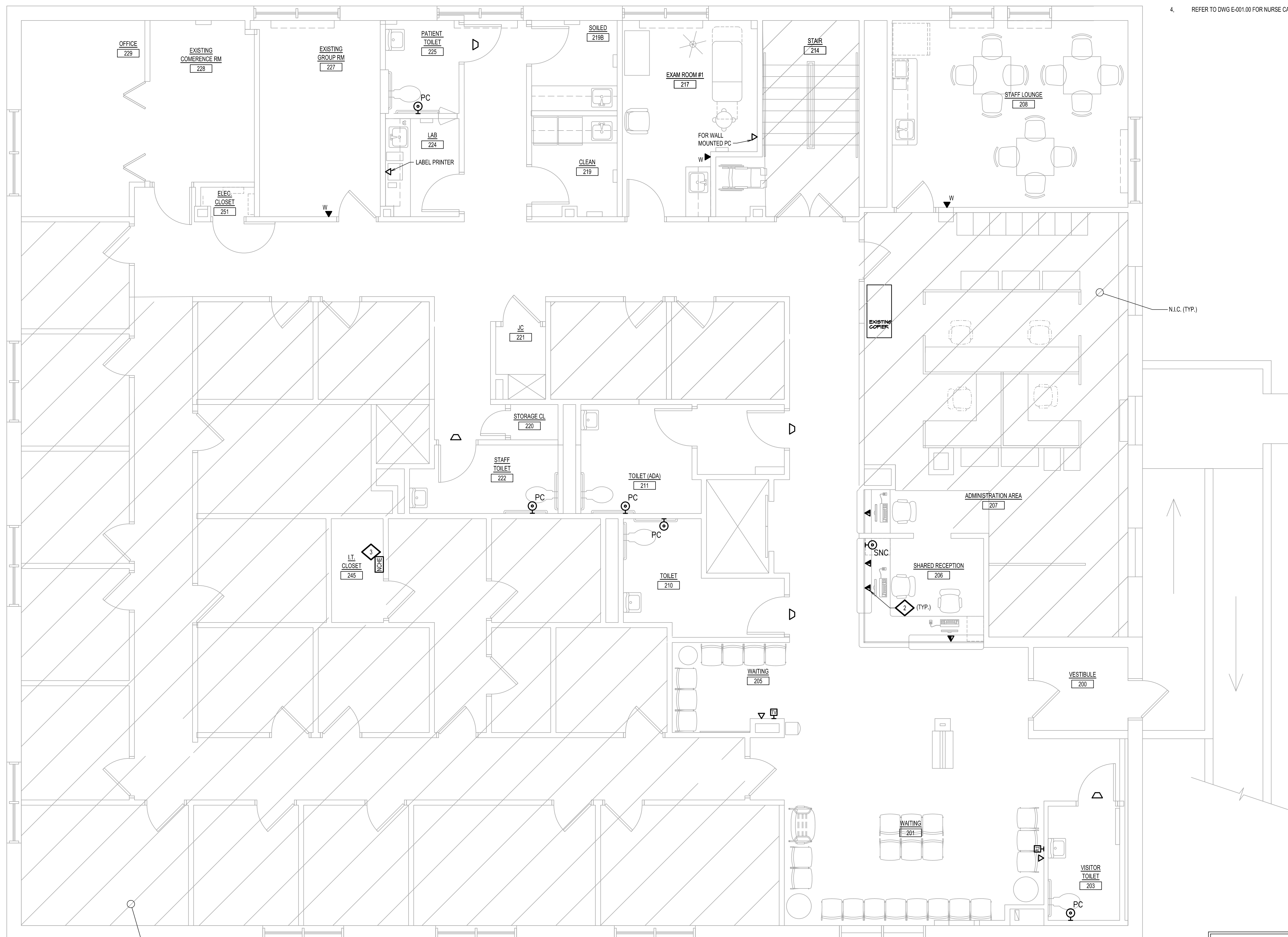
Key Plan



Notes

NOTES

- 1. REFER TO DWG E-001.00 FOR ELECTRICAL LEGEND, ABBREVIATIONS, DRAWING LIST AND NOTES.
2. FURNISH AND INSTALL 3/4" EMPTY CONDUIT WITH DRAG LINE, 6" ABOVE FINISHED CEILING AT ALL DATA/TELEPHONE RECEPTACLE LOCATIONS. TERMINATIONS AND CABLES TO BE PROVIDED BY OTHERS.
3. EXACT LOCATION SHALL BE COORDINATED IN THE FIELD WITH EXISTING EQUIPMENT.
4. REFER TO DWG E-001.00 FOR NURSE CALL SYSTEM RISER.



2ND FLOOR-COMMUNICATIONS PLAN

SCALE: 1/4"=1'-0"

Revision

PROGRESS REVIEW SET

OWNER REVIEW

NYSDOH-DSG-01 FILING

Issued

File Name: 7024-02-E-203.dwg

Permit-Seal

Client/Project

RICHMOND UNIVERSITY MEDICAL CENTER
TRANSFORMATIONAL GRANT

669 CASTLETON AVENUE, STATEN ISLAND, NY
SECOND FLOOR PROPOSED RENOVATION

Title

2ND FLOOR-COMMUNICATIONS

Project No.
7024.02

Scale
AS NOTED

Drawing No.

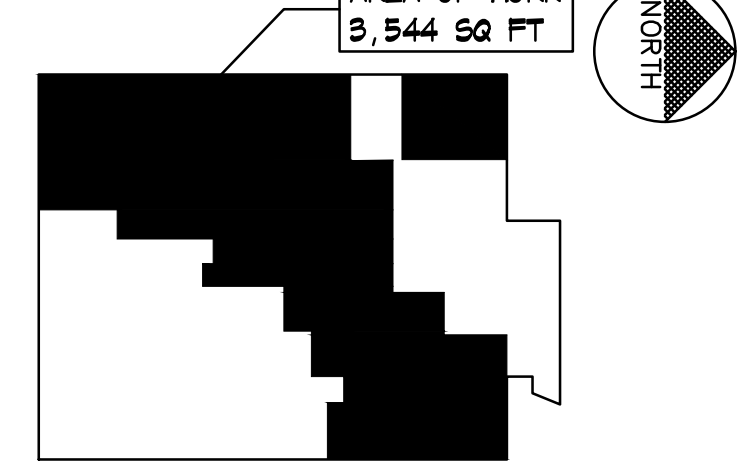
Sheet

Revision

E-203.00

6 of 12

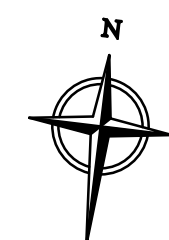
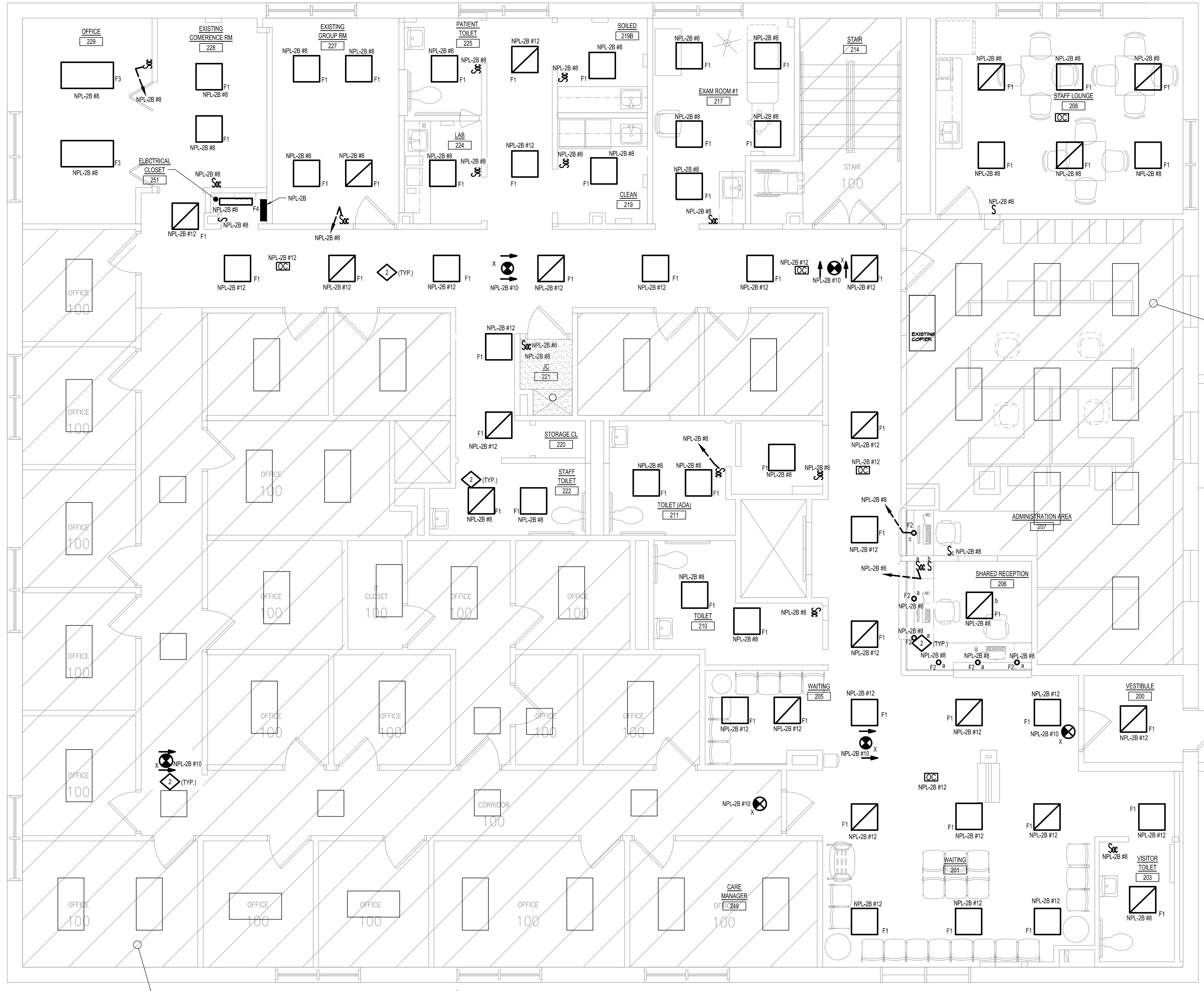
NEW YORK CITY BUILDING DEPARTMENT NOTE:
THIS PLAN IS SUBMITTED FOR APPROVAL BY THE NEW YORK CITY BUILDING DEPARTMENT ONLY FOR WORK INDICATED ON THE APPLICATION SPECIFICATION SHEET. ALL OTHER MATTERS SHOWN ARE NOT TO BE RELIED UPON, OR TO BE CONSIDERED AS, EITHER BEING APPROVED OR IN ACCORDANCE WITH APPLICABLE CODES.



Revision	By	Appd.	YY.MM.DD
PROGRESS REVIEW SET			2022.08.08
OWNER REVIEW			2021.04.23
NYS DOH-DSG-01 FILING			2020.10.26
Issued			YY.MM.DD
File Name: 7024.02-E-204.dwg	Drn.	Chkd.	Dsgn.

NOTES

- REFER TO DWG E-001.00 FOR ELECTRICAL LEGEND, ABBREVIATIONS, DRAWING LIST AND NOTES.
- REFER TO LIGHT FIXTURE SCHEDULE ON DWG E-001.00 FOR ADDITIONAL INFORMATION.
- REFER TO ARCHITECTURAL DRAWINGS FOR ADDITIONAL INFORMATION.



2ND FLOOR-NEW WORK- LIGHTING AND SYSTEMS PLAN

SCALE: 1/4"=1'-0"

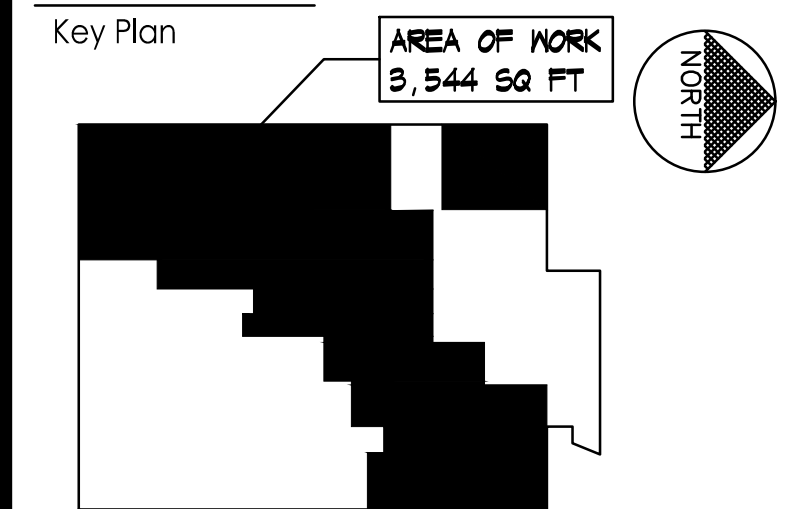
NEW YORK CITY BUILDING DEPARTMENT NOTE:
THIS PLAN IS SUBMITTED FOR APPROVAL BY THE NEW YORK CITY BUILDING DEPARTMENT ONLY FOR WORK INDICATED ON THE APPLICATION SPECIFICATION SHEET. ALL OTHER MATTERS SHOWN ARE NOT TO BE RELIED UPON, OR TO BE CONSIDERED AS, EITHER BEING APPROVED OR IN ACCORDANCE WITH APPLICABLE CODES.

PROJECT: 7024.02 | FLOOR: EGRESS | FOLDER: EGRESS | FDATE: 8/29/2022 1:56 PM | FILENAME: 7024.02-E-204.dwg

ORIGINAL SHEET - ARCH 0



Lizardos
 Mechanical & Electrical Engineering
 200 Old Country Road, Suite 670
 Mineola, NY 11501
 Phone: (516) 484-1020
 Fax: (516) 484-0926
 www.leapc.com



Notes

Revision	By	Appd.	YY.MM.DD
PROGRESS REVIEW SET			2022.08.08
OWNER REVIEW			2021.04.23
NYS DOH-DSG-01 FILING			2020.10.26
Issued			YY.MM.DD
File Name: 7024-02-E-205.dwg			
	Dwn.	Chkd.	Dsgn.

Permit-Seal

Client/Project
 RICHMOND UNIVERSITY MEDICAL CENTER
 TRANSFORMATIONAL GRANT

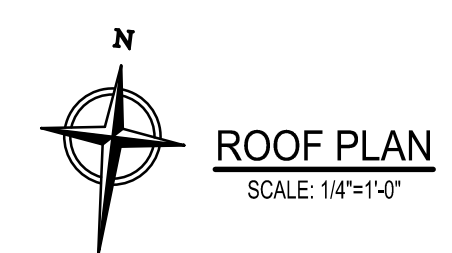
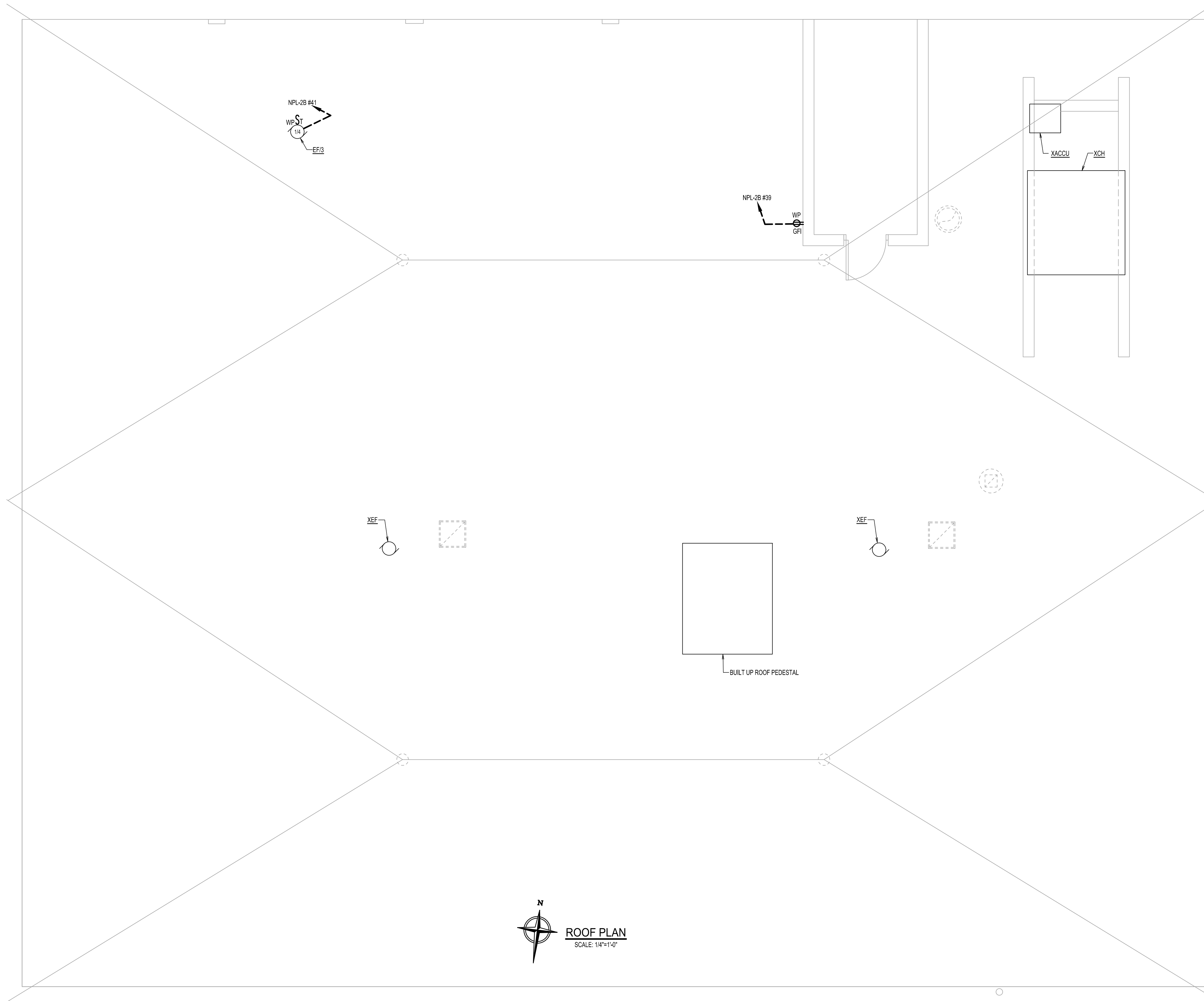
669 CASTLETON AVENUE, STATEN ISLAND, NY
 SECOND FLOOR PROPOSED RENOVATION

Title
 ROOF-NEW WORK

Project No. 7024.02	Scale AS NOTED
Drawing No.	Sheet Revision

NOTES

- REFER TO DWG E-401.00 FOR ELECTRICAL LEGEND, ABBREVIATIONS, DRAWING LIST AND NOTES.



PROJECT: 7024.02 | PROJECT ADDRESS: | PLOT/DATE: 8/29/2022 1:57 PM | FILENAME: 7024.02-E-205.dwg | ORIGINAL SHEET - ARCH 0

NEW YORK CITY BUILDING DEPARTMENT NOTE:
 "THIS PLAN IS SUBMITTED FOR APPROVAL BY THE NEW YORK CITY BUILDING DEPARTMENT ONLY FOR WORK INDICATED ON THE APPLICATION SPECIFICATION SHEET. ALL OTHER MATTERS SHOWN ARE NOT TO BE RELIED UPON, OR TO BE CONSIDERED AS, EITHER BEING APPROVED OR IN ACCORDANCE WITH APPLICABLE CODES."

Stantec Consulting Services Inc.
135 Engineers Road, Suite 200
Hempstead, N.Y. 11788-4008
Tel. 631.424.8600
www.stantec.com

Copyright Reserved
The Contractor shall verify and be responsible for all dimensions. DO NOT scale the drawing - any errors or omissions shall be reported to Stantec without delay. The Copyrights to all designs and drawings are the property of Stantec. Reproduction or use for any purpose other than that authorized by Stantec is forbidden.

Consultants

Exceeding Your Expectations

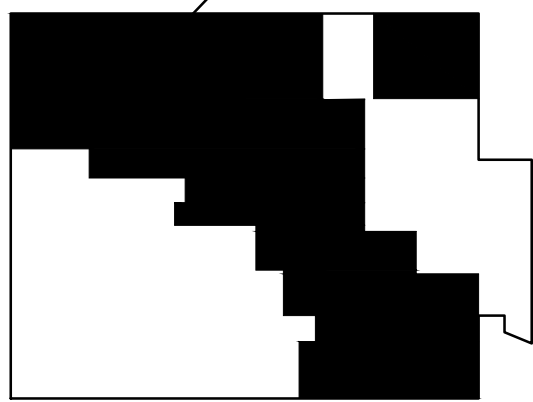
Lizardos

Mechanical & Electrical Engineering

200 Old Country Road, Suite 670
Mineola, NY 11501
Phone: (516) 484-1020
Fax: (516) 484-0926
www.leapc.com

Key Plan

AREA OF WORK
3,544 SQ. FT.



Notes

Revision

By

Appd.

YY.MM.DD

PROGRESS REVIEW SET

2022.08.08

OWNER REVIEW

2021.04.23

NYS DOH-036-01 FILING

2020.10.26

Issued

By

Appd.

YY.MM.DD

File Name: 7024.02-E-401.dwg

Dwn. Chkd. Dsgn. YY.MM.DD

Permit-Seal

Client/Project

RICHMOND UNIVERSITY MEDICAL CENTER
TRANSFORMATIONAL GRANT

669 CASTLETON AVENUE, STATEN ISLAND, NY
SECOND FLOOR PROPOSED RENOVATION

Title

ELECTRICAL DETAILS

Project No.

7024.02

Scale

AS NOTED

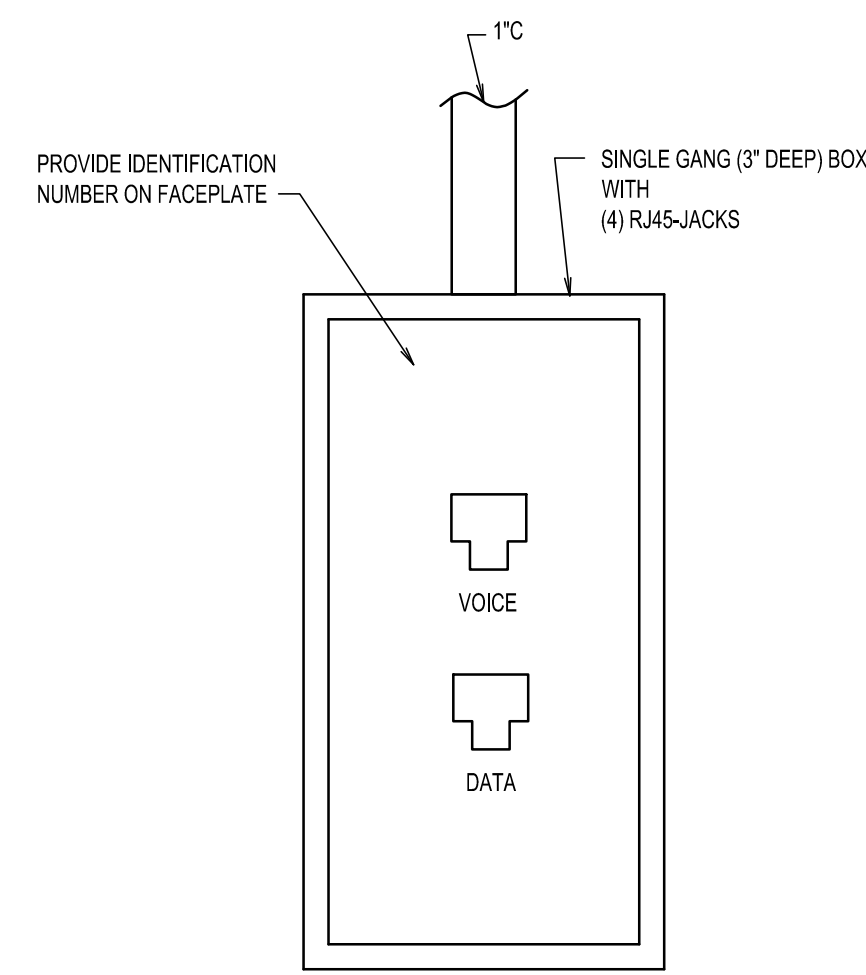
Drawing No.

Sheet

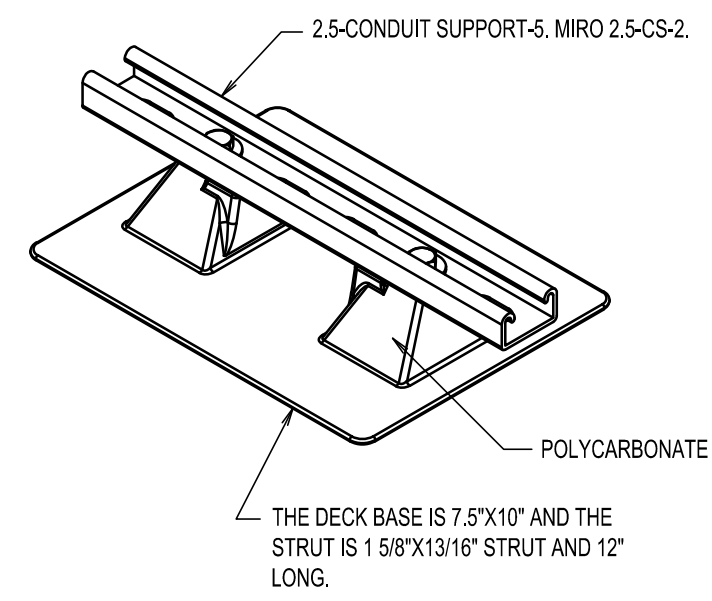
Revision

E-401.00

10 of 12



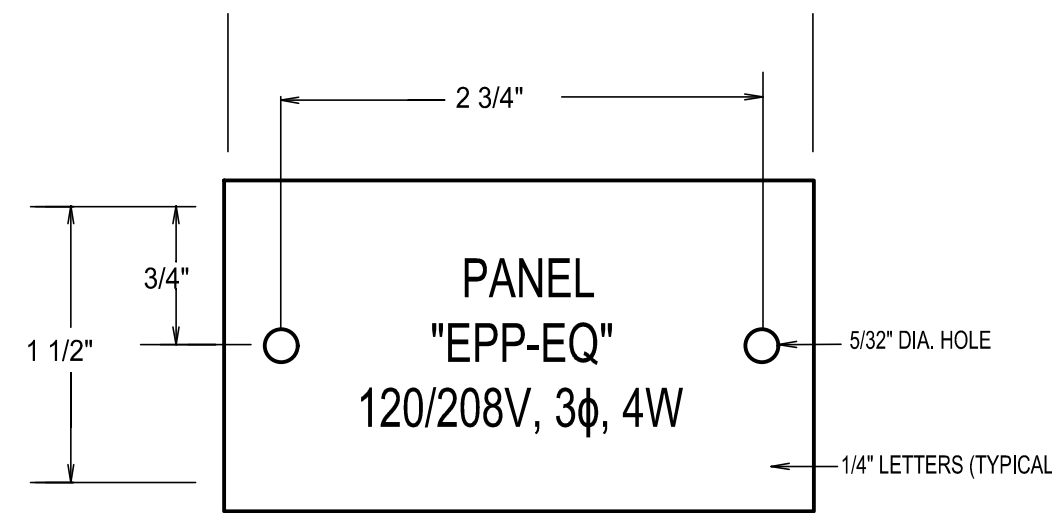
WALL MOUNTED DETAIL OF TEL./DATA RECEPTACLE
NOT TO SCALE



CONDUIT MOUNTING DETAIL ON ROOF
NOT TO SCALE

NOTES:

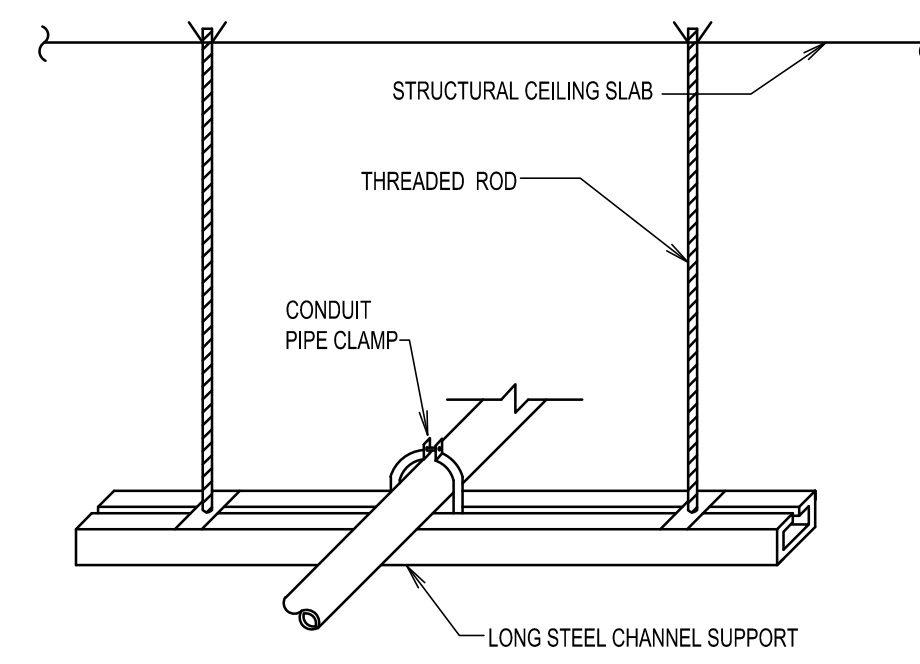
1. MAXIMUM LOAD WEIGHT MAY NOT EXCEED 100 LBS. PER PIPESTAND.
2. DO NOT EXCEED 10 FOOT CENTERS & DO NOT EXCEED 100 LBS. LOAD WEIGHT.



NOTES:

1. REFER TO SPECIFICATIONS FOR ADDITIONAL NAMEPLATE REQUIREMENTS.
2. NAMEPLATE TO BE 1/16" WHITE PLASTIC WITH WHITE CENTER LAMINATION. FACE TO BE RED, ENGRAVED LETTERS TO BE WHITE.
3. SECURE NAMEPLATE TO SURFACES WITH (2) FLAT HEAD BRASS SCREWS.

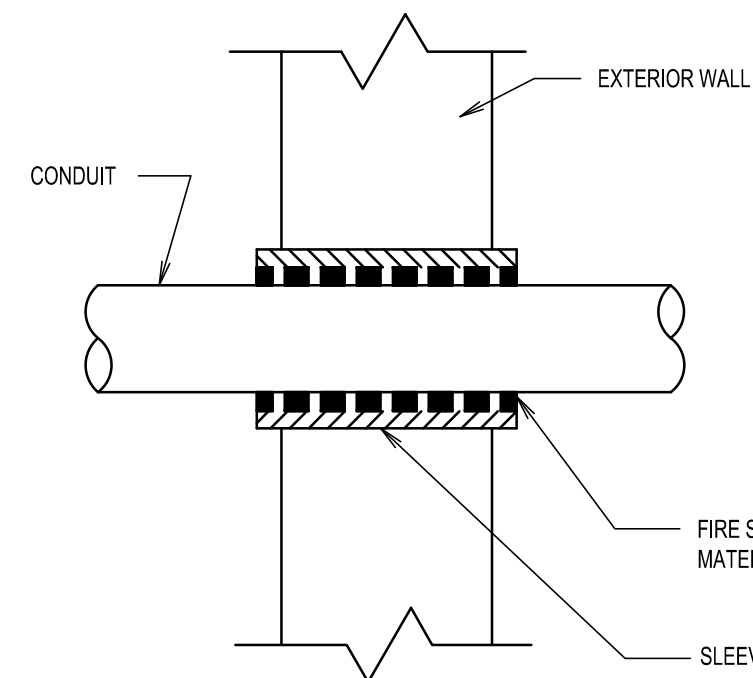
DETAIL OF TYPICAL NAMEPLATE
NOT TO SCALE



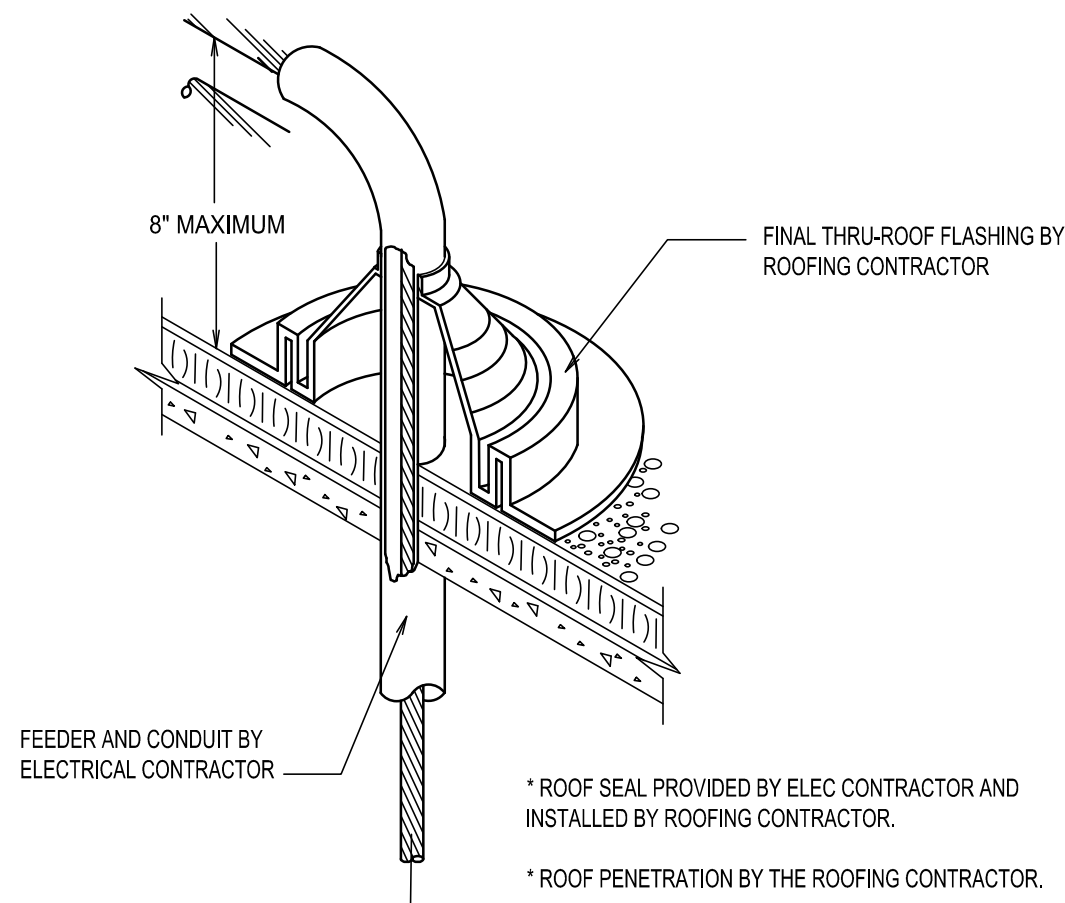
NOTES:

1. FOR INTERIOR WORK ONLY.
2. PROVIDE AND INSTALL CONDUIT SUPPORTS 10'-0" ON CENTER (MIN.) OR AS REQUIRED.

TYPICAL CONDUIT HANGER SUPPORT
NOT TO SCALE



CONDUIT PENETRATION THRU FIRE RATED WALL
NOT TO SCALE



TYPICAL ROOF PENETRATION
NOT TO SCALE

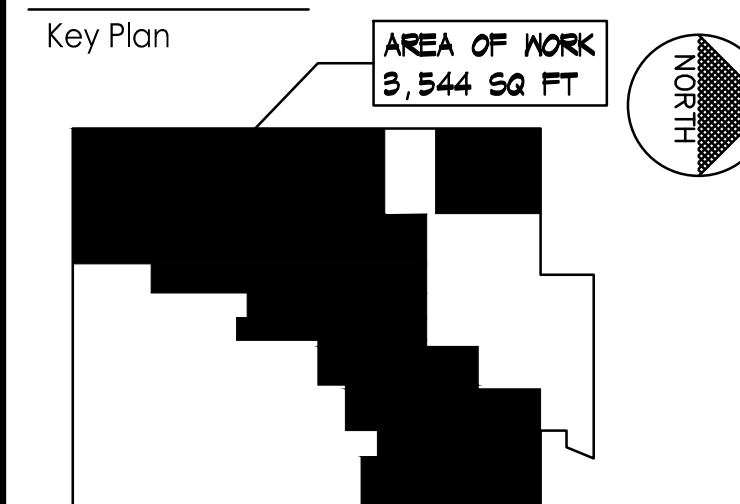
Copyright Reserved

The Contractor shall verify and be responsible for all dimensions. DO NOT scale the drawing - any errors or omissions shall be reported to Stantec without delay. The Copyrights to all designs and drawings are the property of Stantec. Reproduction or use for any purpose other than that authorized by Stantec is forbidden.

Consultants

Lizardos Mechanical & Electrical Engineering
200 Old Country Road, Suite 670
Mineola, NY 11501
Phone: (516) 484-1020
Fax: (516) 484-0926
www.leapc.com

Key Plan



Notes

Table with 4 columns: Description, Date, By, Appr. Contains revision notes and dates.

Table with 4 columns: Description, Date, By, Appr. Contains progress review set and owner review entries.

Table with 4 columns: Description, Date, By, Appr. Contains issued entry.

Table with 4 columns: Description, Date, By, Appr. Contains file name entry.

Permit-Seal

Client/Project

RICHMOND UNIVERSITY MEDICAL CENTER
TRANSFORMATIONAL GRANT

669 CASTLETON AVENUE, STATEN ISLAND, NY
SECOND FLOOR PROPOSED RENOVATION

Electrical Specifications Sheet 1

Table with 4 columns: Project No., Scale, Drawing No., Sheet. Values: 7024.02, AS NOTED.

Table with 4 columns: Drawing No., Sheet, Revision. Values: E-501.00, 11 of 12.

ELECTRICAL SPECIFICATIONS:

- WORK INCLUDED
1. WORK UNDER THE ELECTRICAL CONTRACT SHALL INCLUDE ALL LABOR, MATERIALS, EQUIPMENT, PLANT SERVICES AND ADMINISTRATIVE TASKS REQUIRED TO COMPLETE AND MAKE OPERABLE THE ELECTRICAL WORK SHOWN ON THE DRAWINGS AND SPECIFIED HEREIN, INCLUDING BUT NOT LIMITED TO THE FOLLOWING:

- WORK NOT INCLUDED
1. TELEPHONE INSTRUMENTS OR WIRING.
2. DATA PROCESSING AND EQUIPMENT CABLES AND CABLING.

- GENERAL REQUIREMENTS
1. GENERAL
a. AFTER CAREFULLY STUDYING THE DRAWINGS AND SPECIFICATIONS, AND BEFORE SUBMITTING THE PROPOSAL, VISIT THE SITE TO ASCERTAIN CONDITIONS OF THE SITE, AND THE NATURE AND EXACT QUANTITY OF WORK TO BE PERFORMED. NO EXTRA WILL BE ALLOWED FOR FAILURE TO NOTIFY THE OWNER IN WRITING OF ANY DISCREPANCIES NOTED BETWEEN THE EXISTING CONDITIONS AND DRAWINGS AND SPECIFICATIONS.

- 2. CODES, REGULATIONS AND STANDARDS
a. WORK SHALL COMPLY WITH THE REQUIREMENTS OF THE FOLLOWING CODES:
1) FEDERAL, STATE AND LOCAL CODES HAVING JURISDICTION.
2) NATIONAL FIRE PROTECTION ASSOCIATION.
3) THE ELECTRICAL CODE OF THE CITY OF NEW YORK.

- 3. FEES
a. INCLUDE IN BID THE COST OF ALL REQUIRED PERMITS, FEES, INSPECTIONS, TESTS AND CERTIFICATES OF APPROVAL.

- 4. QUALITY, WORKMANSHIP, MATERIALS AND SAFETY
a. WORK SHALL BE FIRST-CLASS IN EVERY RESPECT AND SHALL BE NEATLY PERFORMED IN A PRACTICAL AND WORKMANLIKE MANNER BY SUFFICIENT ELECTRICIANS SKILLED IN THE WORK THEY ARE TO DO USING THE BEST PRACTICES OF THEIR TRADE, AND UNDER CONTINUOUS, COMPETENT SUPERVISION. THE WORK SHALL BE ORGANIZED IN ADVANCE OF OPERATION AND CARRIED OUT EFFICIENTLY WITHOUT DELAYS WHICH WOULD IMPEDE PROGRESS OR THE QUALITY OF THE WORK OF OTHER TRADES AND THE WORK AS A WHOLE.

- 5. GUARANTEE
a. FURNISH IN WRITING, A COMPLETE GUARANTEE AGAINST DEFECTIVE MATERIALS AND IMPROPER WORKMANSHIP, SATISFACTORY TO OWNER, FOR ALL PARTS, COMPONENTS AND OPERATION FOR A PERIOD OF ONE YEAR FROM THE DATE OF ACCEPTANCE OF THE COMPLETE INSTALLATION BY THE OWNER.

- 6. CLEANING
a. REMOVE ALL CONSTRUCTION DEBRIS RESULTING FROM THE WORK.
b. CLEAN EQUIPMENT AND SYSTEMS FOLLOWING THE DETAILED PROCEDURES SPECIFIED HEREIN, OR AS DIRECTED.

- 7. COORDINATION AND SUPERVISION
a. THE WORK SHALL BE CAREFULLY LAID OUT IN ADVANCE TO AVOID UNNECESSARY CUTTING, CHANNELING, CHASING OR DRILLING OF FLOORS, WALLS, PARTITIONS, CEILINGS OR OTHER SURFACES, WHERE SUCH WORK IS NECESSARY. HOWEVER, THE WORK SHALL BE PATCHED AND/OR REPAIRED IN AN APPROVED MANNER BY SKILLED MECHANICS AT NO ADDITIONAL COST TO THE OWNER.

- SPECIAL REQUIREMENTS
1. MAINTENANCE OF EXISTING FACILITIES AND CONDUCT OF THE WORK.
a. THE BUILDING WILL BE OCCUPIED AND IN OPERATION DURING THE PROGRESS OF THE WORK. WHEN NECESSARY TO TEMPORARILY HALT BUILDING EGRESS OR FLOW OF PERSONNEL TRAFFIC, CONFER WITH THE OWNER AND ARRANGE THE PERIOD OF INTERRUPTION FOR A TIME MUTUALLY AGREED UPON. IT IS REQUIRED THAT THE WORK INDICATED AND/OR SPECIFIED BE CARRIED OUT WITH A MINIMUM OF INTERFERENCE TO THE ESTABLISHED ROUTINE OF THE BUILDING.

- c. PROVIDE, ERECT, MAINTAIN AND BE RESPONSIBLE FOR THE SAFE AND LEGAL USE OF ALL SCAFFOLDING OR ADDITIONAL BRACING AND SERVICES THAT MAY BE REQUIRED FOR THE DELIVERY OR ERECTION OF THE EQUIPMENT AND CONSTRUCTION MATERIALS PROVIDED OR INSTALLED. DETERMINE THE SPECIFIC ARRANGEMENTS FOR FURNISHING AND USE OF ALL SUCH SCAFFOLDING EQUIPMENT, AND REMOVE SUCH EQUIPMENT WHEN IT IS NO LONGER REQUIRED.

- 2. SUBMITTALS
a. SHOP DRAWINGS
1) SHOP DRAWINGS SUBMITTALS SHALL CONSIST OF ONE REPRODUCIBLE AND THREE PRINTS, OR SIX PHOTOCOPIES.
2) SUBMIT SHOP DRAWINGS OF THE FOLLOWING:

- b. AS-BUILT DRAWINGS
1) UPON COMPLETION OF THE WORK, FURNISH TO THE OWNER IN AUTOCAD 2000 FORMAT OR LATEST VERSION, WHICHEVER IS MORE RECENT, "AS-BUILT" DRAWINGS ON CD-ROM MEDIA AND ONE SET OF MYLAR REPRODUCIBLES. DRAWINGS SHALL INCLUDE ALL FIELD CHANGES AND DIMENSIONS TO ACCURATELY LOCATE ALL OUTLETS, DEVICES, EQUIPMENT AND THE LIKE.

- 3. CUTTING AND PATCHING
a. PROVIDE ALL CUTTING, DRILLING, ROUGH AND FINISH PATCHING REQUIRED FOR THE WORK.
b. CUTTING OF BEAMS, FLOORS OR WALLS FOR PIPING OR CONDUIT SHALL BE DONE AS APPROVED BY THE OWNER IN A CAREFUL MANNER, WITH CORE DRILLS, SO AS NOT TO SERIOUSLY IMPAIR THE APPEARANCE OR STRENGTH OF THE STRUCTURE.

- 4. PHASE ROTATION TESTS
a. PROPERLY TEST THE PHASE ROTATION OF FEEDER AND BRANCH CIRCUITS, AND MAKE SUCH CHANGES AND ALTERATIONS NECESSARY TO ENSURE THE CORRECT ROTATION OF ALL MOTOR DRIVEN EQUIPMENT THROUGHOUT THE NEW INSTALLATION.

- 5. ELECTRICAL SERVICE CHARACTERISTICS
a. THE CHARACTERISTICS OF THE SECONDARY ELECTRIC SERVICE AND DISTRIBUTION SYSTEM IS 120/208 VOLTS, THREE PHASE, FOUR WIRE.

- 6. TESTS, INSPECTIONS AND APPROVAL
a. INSPECT ALL EQUIPMENT, COMPONENTS AND MATERIALS INSTALLED OR CONNECTED TO ENSURE:
1) PROPER CONDITIONS.
2) COMPONENTS ARE IN PLACE ALIGNED AND SECURE.
3) PROPER INTERNAL CONNECTIONS.

RACEWAYS

- 1. ALL WIRING SHALL BE INSTALLED IN CONDUIT SYSTEMS IN ACCORDANCE WITH THE FOLLOWING:
a. INTERIOR FEEDERS IN DRY LOCATIONS SHALL BE INSTALLED IN EMT CONDUIT.
b. EXTERIOR WIRING SHALL BE INSTALLED IN RIGID GALVANIZED STEEL CONDUIT WITH COMPRESSION FITTINGS.
c. ALL WORK INSTALLED IN UNFINISHED SPACES, ELECTRICAL CLOSETS, MECHANICAL ROOMS, ELEVATOR MACHINE ROOMS, AND THE LIKE SHALL BE RUN EXPOSED AND SHALL BE INSTALLED IN RGS OR IMC, UNLESS INDICATED OTHERWISE.

- F. WIRES AND CABLES
1. WIRE AND CABLE SHALL BE 600 VOLT, COPPER, WITH THHN/THWN-2 90 DEGREES C. INSULATION EXCEPT AS NOTED.
2. WIRE FOR POWER AND LIGHTING SHALL BE NOT LESS THAN NO. 12 AWG. WIRE NO. 8 AND LARGER SHALL BE STRANDED.

- 6. IN PANELS, PHASE LEGS SHALL BE ALTERNATELY BUSSED TO EACH CIRCUIT BREAKER IN A MANNER TO EFFECT BALANCING THE BRANCH CIRCUIT CONNECTIONS AS NEARLY AS POSSIBLE OVER EACH PHASE. LOADS ON EACH PANEL BUSS SHALL BE BALANCED TO WITHIN 10% OF EACH OTHER.

Table with 3 columns: LENGTH, FT., HOME RUN WIRE SIZE, CIRCUIT WIRE SIZE. Values include 0 TO 50, 51 TO 100, 101 TO 150, NO. 12, NO. 10, NO. 8.

- 8. CIRCUIT WORK BETWEEN OUTLET BOXES AND RECESSED LIGHTING FIXTURE SHALL BE TYPE 'SF' WIRE.

WIRING DEVICES

- 1. SWITCHES
a. LOCAL SWITCHES SHALL BE TOGGLE TYPE, 120-277 VOLT, AC RATED 20 AMPERES, QUIET-TYPE WITH SILENT OPERATING MECHANISM, TOTALLY ENCLOSED IN A MOLDED COMPOSITION BASE.
1) SWITCHES SHALL BE SINGLE POLE OR THREE WAY AS INDICATED, MANUFACTURED BY LEVITON OR APPROVED EQUAL.

- 2. RECEPTACLES
a. RECEPTACLES SHALL BE GROUNDING TYPE, TAMPER-PROOF WITH GROUNDING PIN SLOT CONNECTED TO DEVICE GROUND SCREW FOR GROUND WIRE CONNECTION TO CONDUIT SYSTEM. INSTALL VERTICALLY MOUNTED RECEPTACLES WITH GROUNDING POLE ON TOP.
1) DUPLEX CONVENIENCE RECEPTACLES SHALL BE TAMPERPROOF, HOSPITAL GRADE MANUFACTURED BY LEVITON OR APPROVED EQUAL RATED 20 AMPERES, 125 VOLTS, TOTALLY ENCLOSED IN MOLDED COMPOSITION BASE, THIRD-LEG GROUNDED TO CONDUIT SYSTEM.

- 3. DEVICE PLATES
a. IN GENERAL, PLATES FOR ALL WIRING DEVICES, EXCEPT AS SPECIFIED OTHERWISE, SHALL BE .040 INCH SATIN FINISHED STAINLESS STEEL. A COMMON PLATE SHALL COVER ALL DEVICES WHICH ARE INDICATED AT THE SAME LOCATION. WHERE STANDARD SIZE PLATE DOES NOT COVER OPENING IN PLASTER, ETC., PROVIDE JUMBO TYPE PLATE OF SAME FINISH.
b. ON THE INSIDE OF EACH DEVICE PLATE, WRITE THE PANELBOARD DESIGNATION AND CIRCUIT NUMBER OF THE CIRCUIT SERVING THE DEVICE.
c. DEVICE PLATES SHALL BE SECURED WITH STAINLESS STEEL, TAMPERPROOF SCREWS. FURNISH AT LEAST TEN COMPATIBLE SCREWDRIVERS TO THE OWNER.

TELEPHONE AND DATA CABLE CONDUIT SYSTEM

- 1. PROVIDE THE FOLLOWING SYSTEM OF EMPTY CONDUITS FOR THE INSTALLATION OF TELEPHONE AND DATA CABLES BY OTHERS AS INDICATED ON THE DRAWINGS.
2. WALL MOUNTED TELEPHONE AND DATA OUTLETS SHALL CONSIST OF 1 INCH EMT STUBBED IN THE ACCESSIBLE HUNG CEILING AND TERMINATING IN A THREE INCH x TWO INCH x 2 1/8 INCH GALVANIZED OUTLET BOX COMPLETE WITH PLASTER COVER. PROVIDE NYLON DRAG FOR PULLING OF TELEPHONE AND DATA CABLES.
i. WHERE TELEPHONE AND DATA OUTLETS ARE INDICATED ON PREFABRICATED PARTITIONS THE CONDUIT SHALL TERMINATE IN THE WIREWAY OF PARTITION.

IDENTIFICATION AND TAGGING

- 1. PANELS, CABINETS, ETC. SHALL BE PROPERLY IDENTIFIED WITH PERMANENT NAMEPLATES SECURELY FASTENED TO THE FRONT OF EQUIPMENT. 'STICK-ON' TYPE LETTERS OR PLATES SHALL NOT BE USED.
a. IDENTIFY EQUIPMENT AND KEY EQUIPMENT COMPONENTS WITH NAMEPLATES OF BLACK LAMINATED PHENOLIC MATERIAL.
b. COORDINATE NAMEPLATES WITH ACTUAL EQUIPMENT INSTALLED.
c. SUBMIT CUT SHEET OF NAMEPLATES FOR APPROVAL PRIOR TO PURCHASE AND INSTALLATION.
d. MINIMUM SIZE NAMEPLATES SHALL BE THREE INCHES LONG WITH 1/4 INCH LETTERING.

- 2. CONDUCTORS IN TROUGHS, PULLBOXES, GUTTERS, ETC. SHALL BE IDENTIFIED BY MEANS OF TAGS INDICATING BOTH TERMINATING POINTS.

ADDRESSABLE FIRE ALARM SYSTEMS-DIVISION 26 SECTION 287210

- 3. THE FIRE ALARM SYSTEM SHALL BE INTELLIGENT DEVICE ADDRESSABLE, ANALOG DETECTING, LOW VOLTAGE AND MODULAR, WITH DIGITAL COMMUNICATION TECHNIQUES, IN FULL COMPLIANCE WITH ALL APPLICABLE CODES AND STANDARDS. GENERIC TERMS SUCH AS 'SUB SYSTEM', 'THE SYSTEM', 'A SYSTEM', 'THE FIRE ALARM SYSTEM', ETC. SHALL BE DEEMED TO APPLY TO THE COMPLETE INTELLIGENT ANALOG ADDRESSABLE FIRE ALARM SYSTEM, UNLESS SPECIFICALLY NOTED ELSEWHERE. THE SYSTEM SHALL PROVIDE EVACUATION ALARM SIGNALING USING SOUNDING DEVICES TO SOUND THE ALARM EVACUATION SIGNALS AND STROBE LIGHTS AS VISUAL NOTIFICATION DEVICES.

- 5. THE FOLLOWING AUDIBLE AND VISUAL SIGNALING DEVICES SHALL BE CONTROLLED BY THE FACP:
a. STROBE LIGHTS (SYNCHRONIZED).
b. COMBINATION HORN-STROBE UNITS.

CONNECTIONS TO THE CENTRAL OFFICE CONNECTION FOR MANUAL STATION ALARM, SPRINKLER ALARM, SMOKE ALARM, HEAT ALARM, SUPERVISORY AND SYSTEM TROUBLE CONDITIONS.

- c. AIR HANDLING FAN SHUTDOWN OPERATION.
d. ELEVATOR CONTROLS FOR ELEVATOR RECALL.

